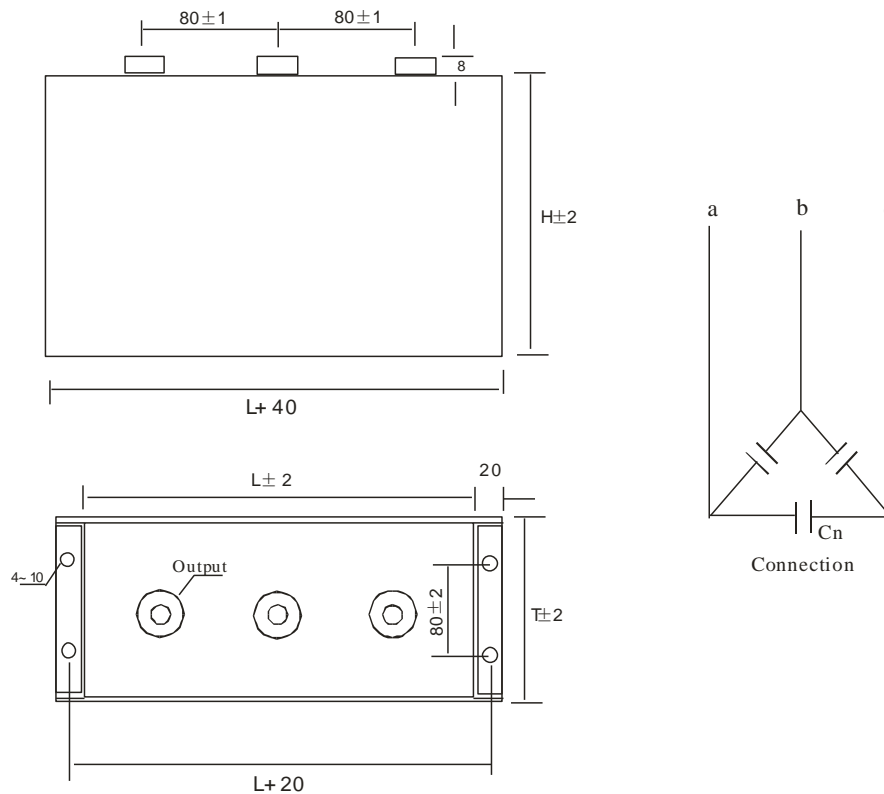


GENERAL TECHNICAL CHARACTERISTICS	
Reference standards :	IEC 61071-60068
Climatic category:	40/85/56
Dielectric :	Polypropylene film
Construction :	Dry construction, filled by solid resin, non-inductive type
Features:	Low ESR, high current. high capacitance
Case :	Aluminum case
ELECTRICAL CHARACTERISTICS	
Working temperature :	-40 to + 85°C(max hotspot≤70°C)
Storage temperature :	-40 to + 85°C
Capacitance :	3 x 20 to 3 x 500μF
Rated Voltage	400 to1000 Vac
Tolerance :	± 5%(J) ± 10%(K)
Dissipation factor	≤ 2×10 <sup>-3</sup> Measured at 100Hz 25°C
Life expectancy :	30,000 hours at Urms and 70°C
TEST METHODS AND PEFMORMANCES	
Insulation resistance (C* <i>Ri</i> ) :	≥ 5000 s after 1 minute of electrification at 100Vdc (25±5°C)
Test voltage between terminals	1.5Un (10s at 20± 5°C)
Test voltage terminal and case :	3.0KV,(60s 50Hz 20± 5°C)

Outline drawing



Case code :demension in mm

Case code	L	B	H	C	φ	Output
A	225	120	170	80	7	M8 x10
B	225	120	235	100	7	M8 x10
C	295	120	235	100	9	M10 x10
D	365	120	235	120	9	M10 x10

Part Numbering System : CFD400K3x200-A\* " A" = Case code(A B C D )

## Electrical specifications

Part Number	Cap ( $\mu$ F)	ESR @10kHz (m $\Omega$ )	Irms max@25°C @10kHz	Case code	Rth (°C/W)	Weight (Kg)
Un 400Vac						
CFD400K3x200	3x200	3x0.95	3x70	A	1.11	6.2
CFD400K3x300	3x300	3x0.88	3x90	B	0.86	8.7
CFD400K3x400	3x400	3x0.83	3x120	C	0.71	11.2
CFD400K3x500	3x500	3x0.80	3x160	D	0.60	14.5
Un 500Vac						
CFD500K3x120	3x120	3x1.01	3x50	A	1.11	6.2
CFD500K3x180	3x180	3x0.92	3x70	B	0.86	8.7
CFD500K3x240	3x240	3x0.86	3x100	C	0.71	11.2
CFD500K3x300	3x300	3x0.83	3x120	D	0.60	14.5
Un 550Vac						
CFD550K3x90	3x90	3x1.86	3x30	A	1.11	6.2
CFD550K3x135	3x135	3x1.49	3x60	B	0.86	8.7
CFD550K3x180	3x185	3x1.28	3x80	C	0.71	11.2
CFD550K3x225	3x225	3x1.19	3x100	D	0.60	14.5
Un 690Vac						
CFD690K3x50	3x50	3x2.03	3x40	A	1.11	6.2
CFD690K3x75	3x75	3x1.64	3x60	B	0.86	8.7
CFD690K3x100	3x100	3x1.39	3x80	C	0.71	11.2
CFD690K3x125	3x125	3x1.28	3x100	D	0.60	14.5
Un 850Vac						
CFD850K3x30	3x30	3x2.36	3x30	A	1.11	6.2
CFD850K3x45	3x45	3x1.85	3x50	B	0.86	8.7
CFD850K3x65	3x65	3x1.50	3x70	C	0.71	11.2
CFD850K3x80	3x80	3x1.38	3x80	D	0.60	14.5
Un 1000Vac						
CFD1000K3x20	3x20	3x2.68	3x20	A	1.11	6.2
CFD1000K3x30	3x30	3x2.07	3x40	B	0.86	8.7
CFD1000K3x45	3x45	3x1.63	3x50	C	0.71	11.2
CFD1000K3x55	3x55	3x1.43	3x70	D	0.60	14.5