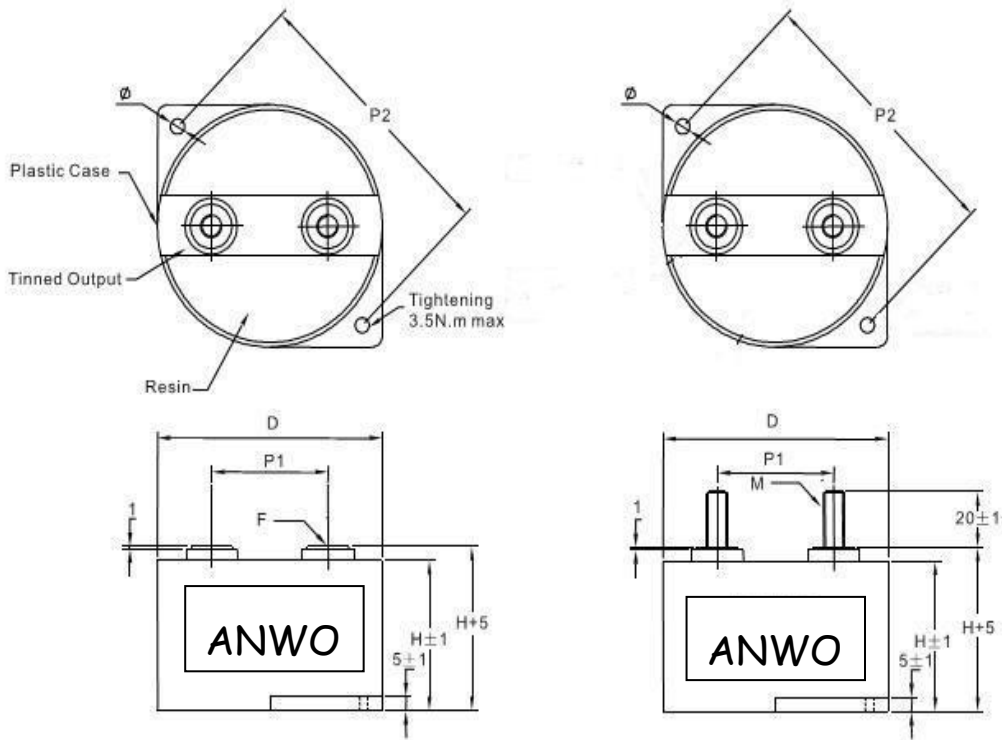


GENERAL TECHNICAL CHARACTERISTICS	
Reference standards :	IEC 61071-60068
Climatic category:	40/85/56
Dielectric :	Polypropylene film
Construction :	The extended metallized film, Dry construction
Features:	Low ESR, Low Ls, high ripple current
Coating :	The resistant plastic case with resin sealing., Flame retardant execution(UL94V0)
ELECTRICAL CHARACTERISTICS	
Working temperature :	-40 to + 85°C(max hotspot≤85°C)
Storage temperature :	-40 to + 85°C
Capacitance :	6.8 to 500μF
Rated Voltage	500 to 2200 Vdc
Tolerance :	± 5%(J) ± 10%(K)
Life expectancy :	100,000 hours at Un and 70°C
TEST METHODS AND PERFORMANCES	
Insulation resistance :	≥5,000s after 1 minute of electrification at 100Vdc (25±5°C)
Test voltage between terminals	1.5Un (10s at 20± 5°C)
Test voltage between terminals and case :	3.0KV (60s 50Hz 20± 5°C)

STYLE:



Case code	D (mm)	Out put		P1 (mm)	P2 (mm)	φ (mm)
		1	2			
1	87	M8*20	M6*8	45±1	100	5.5
2	115	M10*20	M6*8	60±1	132	6.5

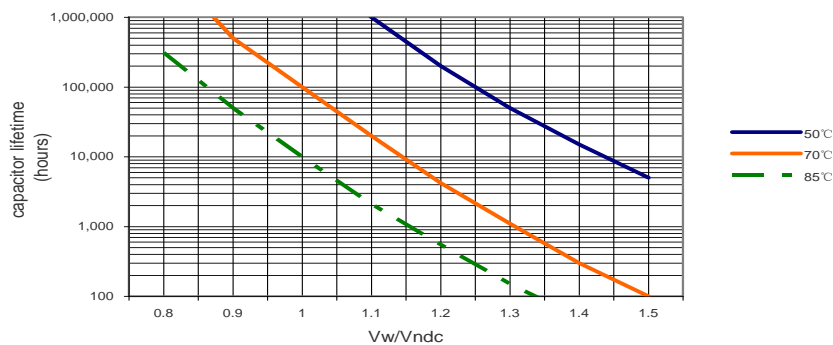
Part Numbering System:

CLF1100K68 – F-87 " F " = F for Internal thread, M for lead screw " 87" = Diameter

Electrical specifications,

Part Number	Capacitance (μF)	Diameter (mm)	Height (mm)	Ls max. (nH)	du/dt (v/μs)	Irms max.	ESR (mΩ)	Rth (k/W)
Un dc 500V								
CLF500K125	125	87	40	25	37	90	0.7	6.8
CLF500K200	200	87	50	32	25	90	0.8	5.9
CLF500K275	275	87	64	40	16	85	0.9	5.0
Un dc 700V								
CLF700K100	100	87	40	25	48	90	0.6	6.8
CLF700K150	150	87	50	32	32	90	0.7	5.9
CLF700K220	220	87	64	40	21	85	0.9	5.0
Un dc 900V								
CLF900K68	68	87	40	25	56	80	0.8	6.8
CLF900K100	100	87	50	32	37	80	0.9	5.9
CLF900K140	140	87	64	40	25	75	1.2	5.0
Un dc 1100V								
CLF900K47	47	87	40	25	73	75	0.9	6.8
CLF900K68	68	87	50	32	49	75	1.1	5.9
CLF900K100	100	87	64	40	33	70	1.4	5.0
Un dc 1200V								
CLF1200K25	25	87	40	25	90	60	1.2	6.8
CLF1200K35	35	87	50	32	70	60	1.5	5.9
CLF1200K50	50	87	64	40	50	55	2.0	5.0
Un dc 1500V								
CLF1500K18	18	87	40	25	113	55	1.2	6.8
CLF1500K25	25	87	50	32	85	55	1.7	5.9
CLF1500K35	35	87	64	40	60	50	2.2	5.0
Un dc 1800V								
CLF1800K10	10	87	40	25	175	50	1.5	6.8
CLF1800K15	15	87	50	32	120	50	2.0	5.9
CLF1800K22	22	87	64	40	80	45	2.5	5.0
Un dc 2200V								
CLF2200K6.8	6.8	87	40	25	200	50	1.7	6.8
CLF2200K10	10	87	50	32	150	50	2.3	5.9
CLF2200K15	15	87	64	40	100	45	2.9	5.0

LIFETIME EXPECTANCY vs HOT SPOT TEMPERATURE AND VOLTAGE



Vw :permanent working or operating DC-voltage