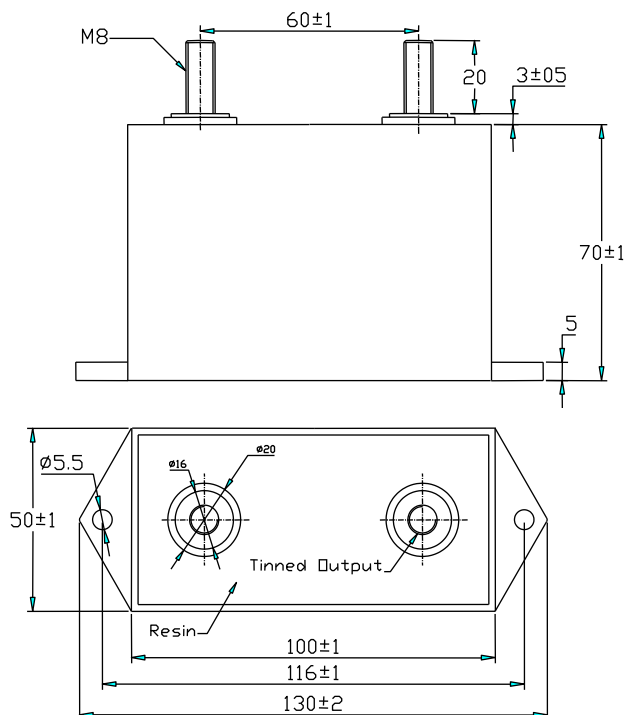


GENERAL TECHNICAL CHARACTERISTICS	
Reference standards :	IEC 61071 60068 60384
Climatic category:	40/85/56
Dielectric :	Polypropylene film
Construction :	Extended metallized film, Dry construction
Features:	Low ESR, Low Ls, high du/dt, High contact reliability
Coating :	Resistant plastic case with resin sealing., Flame retardant execution(UL94V0)
Leads:	Lead screw M8
ELECTRICAL CHARACTERISTICS	
Working temperature :	-40 to + 85°C(max hotspot≤70°C)
Storage temperature :	-40 to + 85°C
Capacitance :	0.04 to 10μF
Rated Voltage:	500v to 3000Vac
Dissipation factor:	<0.0005(1k Hz 20± 5°C)
Tolerance :	± 5%(J) ± 10%(K)
Life expectancy :	100,000 hours at Un and 70°C
TEST METHODS AND PERFORMANCES	
Test voltage between terminals	2.0Un applied for 10s at 25±5°C
Test voltage between terminals and case :	3KV 50Hz for 60 sec



Electrical specifications

Part Number	Capacitance (μ F)	Full Power	Irms	du/dt (v/ μ s)	Ipeak (A)	ESR @10kHz (m Ω)
		kHz	max@25°C @10kHz			
Up-peak 1000Vac Urms 400Vac						
CHR1000K4.7	4.7	10	120	460	2162	1.1
CHR1000K3.3	3.3	13	110	470	1551	1.2
CHR1000K1.5	1.5	27	100	1010	1515	1.2
CHR1000K1.0	1.0	40	100	1390	1390	1.3
Up-peak 1500Vac Urms 550Vac						
CHR1500K1.0	1.0	33	80	590	590	2.6
CHR1500K0.68	0.68	32	75	920	626	2.8
CHR1500K0.60	0.60	36	75	920	552	2.9
Up-peak 2000Vac Urms 750Vac						
CHR2000K1.0	1.0	15	70	590	590	2.6
CHR2000K0.68	0.68	22	70	660	449	2.8
CHR2000K0.47	0.47	27	60	1230	578	2.9
CHR2000K0.33	0.33	39	60	1350	446	3.1
Up-peak 3000Vac Urms 1000Vac						
CHR3000K0.24	0.24	33	50	1960	470	3.2
CHR3000K0.15	0.15	48	45	2950	443	3.5
CHR3000K0.12	0.12	53	40	3350	402	3.8
CHR3000K0.10	0.10	64	40	3350	335	4.1
CHR3000K0.08	0.08	70	40	3350	268	5.2
CHR3000K0.06	0.06	80	30	4740	284	7.6
CHR3000K0.04	0.04	80	30	4740	190	9.6